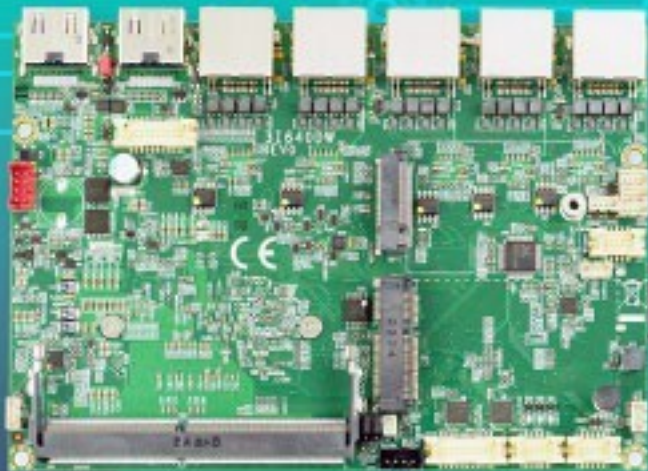


# 31640DW

Maximizing performance 3.5" SBC with Intel® Atom™  
(Elkhart Lake) 6000 series processor





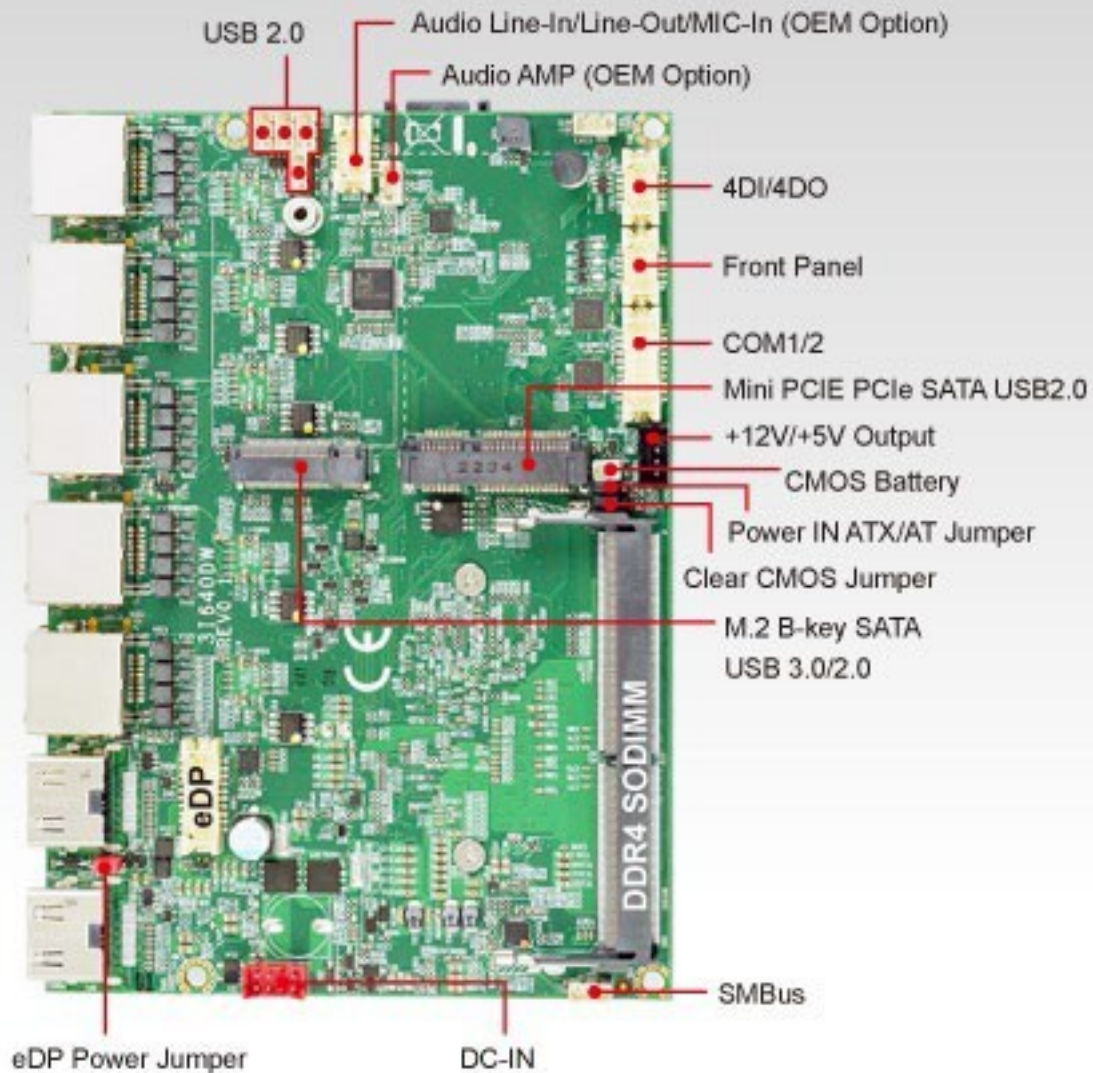


# 3I640DW

## Maximizing performance 3.5" SBC with Intel® Atom™ (Elkhart Lake) 6000 series processor

The 3.5" (146 x 102 mm) SBC: 3I640DW is with Intel Atom® x6000E Series and Celeron® J (formerly Elkhart Lake ) Series processors. 3I640DW integrated 5 x 2.5 GbE LAN, 8 x USB, 2 x COM Port , 2 x HDMI (or DP) display interface and 1 x Mini PCIe, 1 x M.2 expansion slot offers the ideal platform for graphics performance with integrated AIoT features, real-time performance, manageability, and security. 3I640DW with excellent processor performance, multiple Giga Ethernet ports and wide range 9-36V DC-IN features is the ideal solution for AI accelerators platform and advanced Edge AI, Intelligent Control, Factory Automation Industry 4.0, Internet of Things (IoT) and Edge Computing applications.

# Function Map

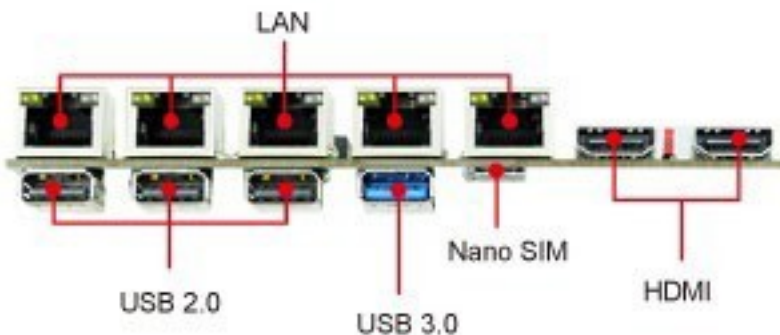


## 31640DW

### 31640DW –ideal solution for Automation/Edge Gateway Applications

- Intel® Elkhart Lake ATOM® x6413E / J6412 CPU
- 1 x DDR4 SODIMM, Max. 32GB
- Independent display: 2 x HDMI, eDP
- 5 x Intel 2.5 GbE LAN, 1 x USB 3.0, 7 x USB 2.0
- 2 x COM, 1 x Mini PCIe, 1 x M.2, 1 x Nano SIM
- 4DI / 4DO, TPM 2.0 (Firmware) –OEM to Hardware TPM 2.0
- Wide Range DC IN +9~36V
- Wide temperature support of -20°C ~ 70°C

[Data Sheet](#)







## TWITTER

**Dimension: 210W x 121D x 55H mm**

- **Compact & Excellent Fanless Embedded System**